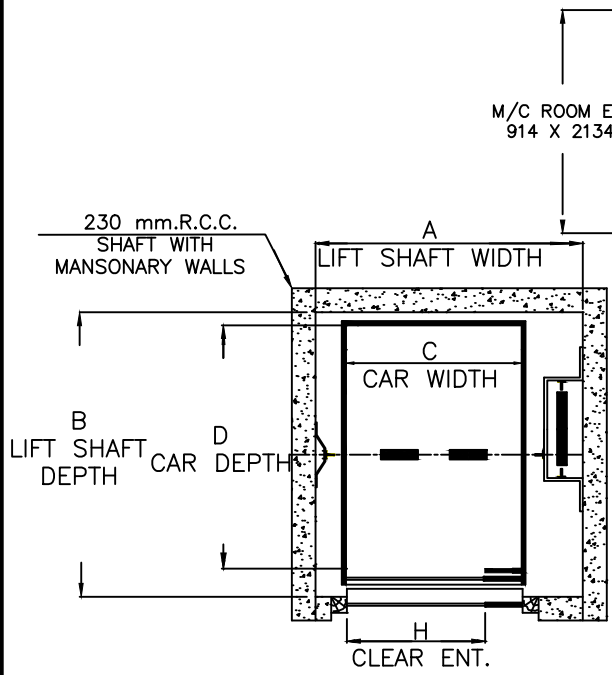
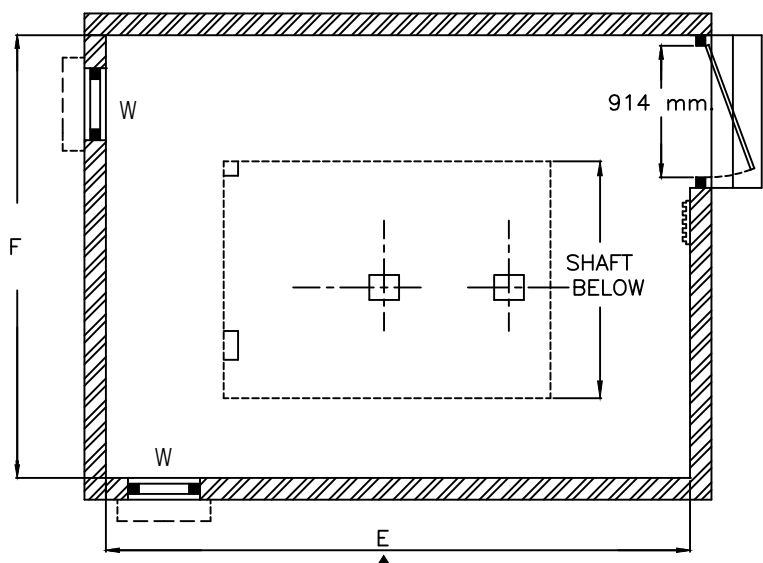


**ROYAL<sup>®</sup>**  
ELEVATORS

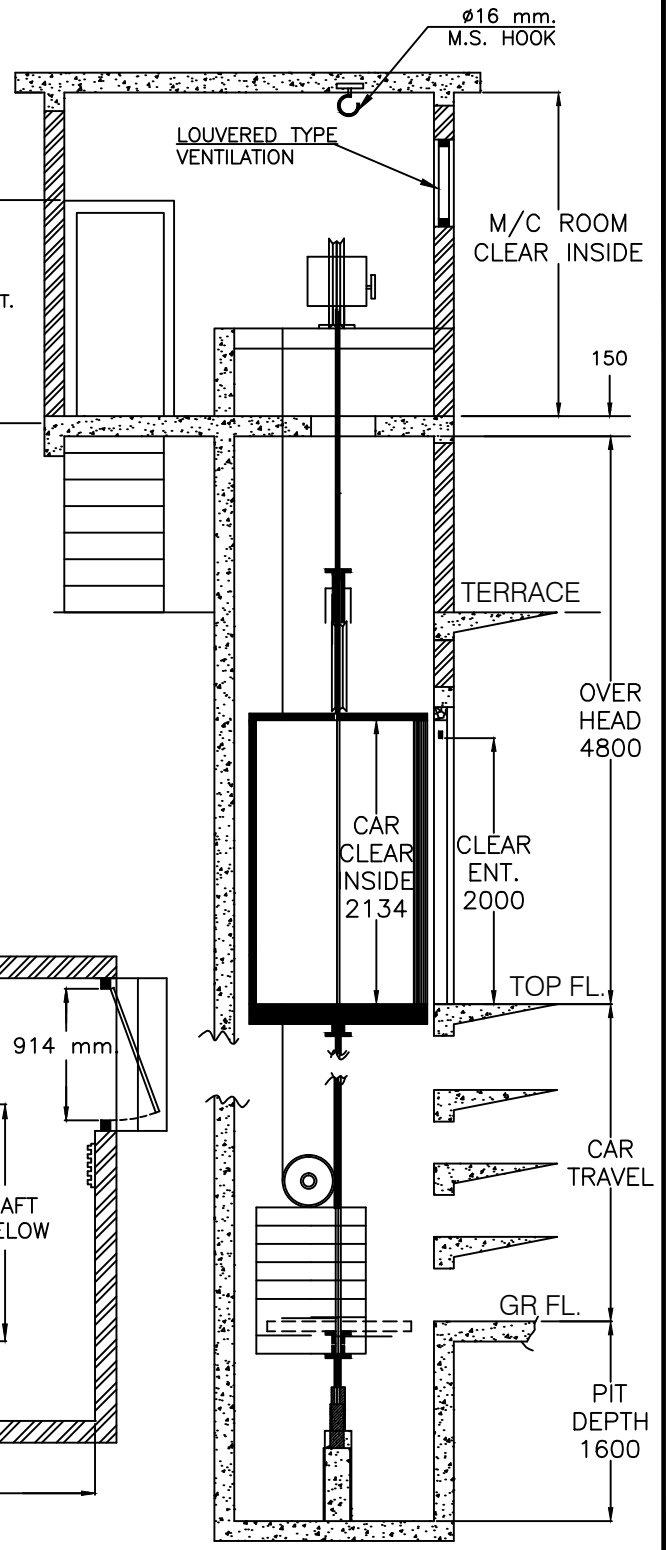
GOODS LIFT



LIFT HOISTWAY PLAN



MACHINE ROOM PLAN



SECTIONAL VIEW

LOAD KGS	LIFT SHAFT		CAR INSIDE		PIT DEPTH	CLEAR ENT. H	DOOR	SPEED (M.P.S.)
	A	B	C	D				
1000	2200	2100	1400	1800	1600	1400	MANUAL	0.33
1500	2600	2300	1700	2000	1600	1700	MANUAL	0.33
2000	2600	2800	1700	2500	1600	1700	MANUAL	0.33
2500	2900	2800	2000	2500	1600	2000	MANUAL	0.33
3000	2900	3300	2000	3000	1600	2000	MANUAL	0.33

ABOVE DIMENSIONS AS REQUIRED BY LIFT ACT. BOMBAY & IS 14665

ALL DIMENSIONS ARE IN MM.

PIT DEPTH :- 1600 mm.

IMP NOTE :- FRONT WALLS TO BE CONSTRUCTED WITH OUR INSTRUCTIONS ONLY NOT TO SCALE

THIS DRAWING AND DESIGN IS THE PROPERTY OF ROYAL ELEVATORS AND MUST NOT BE COPIED OR LENT WITHOUT OUR PERMISSION IN WRITING